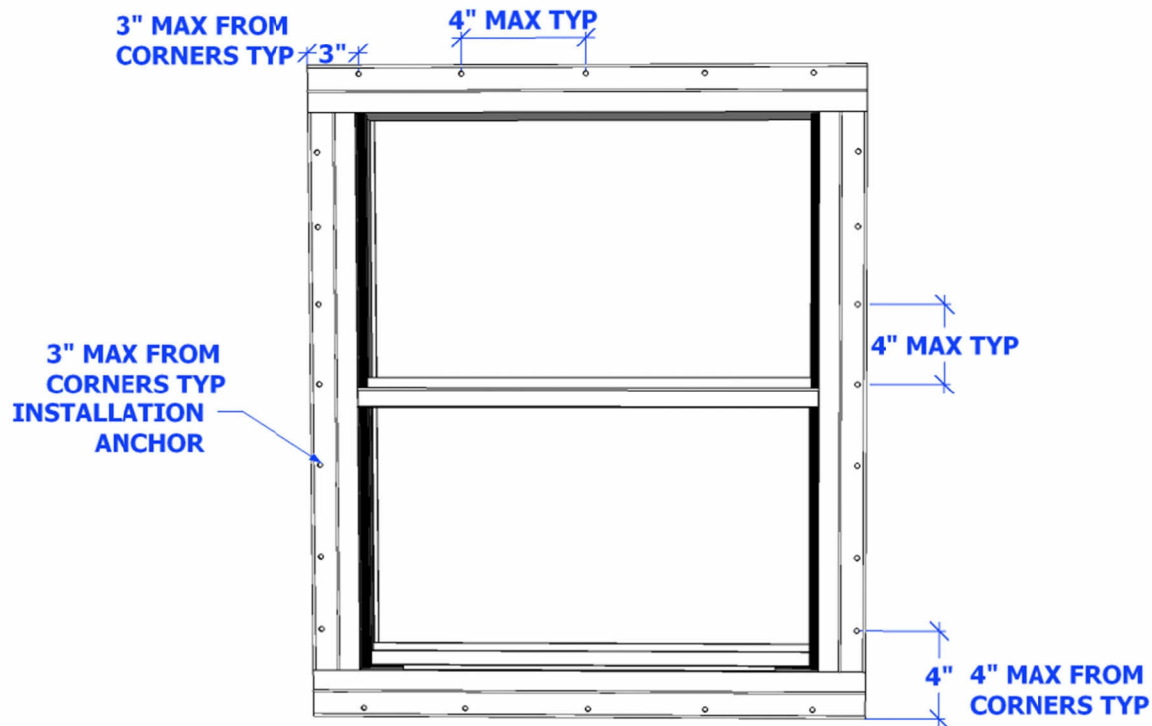
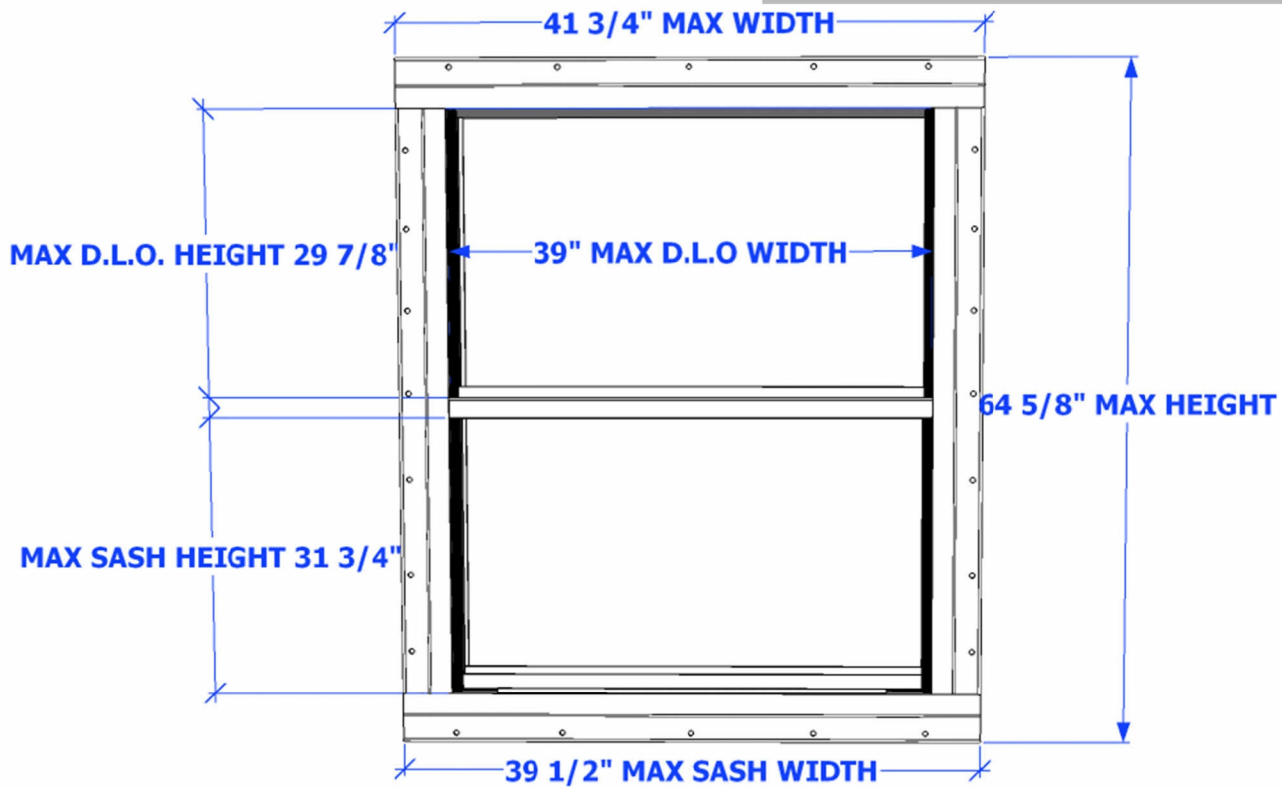


**INSTALLATION METHOD
ALUMINUM NON-INSULATED
ELEVATION & ANCHOR LAYOUT**



SCALE: NTS

DWN BY: AMM

CHK BY: KEA

DATE: 10/13/15

TITLE:
INSTALLATION METHOD
ALUMINUM NON-INSULATED
ELEVATION & ANCHOR LAYOUT

PREPARED BY:
POCAHONTAS ALUMINUM COMPANY, INC.
2001 INDUSTRIAL DRIVE
POCAHONTAS, AR 72455
PH: 870-892-3689 FAX: 870-892-9858

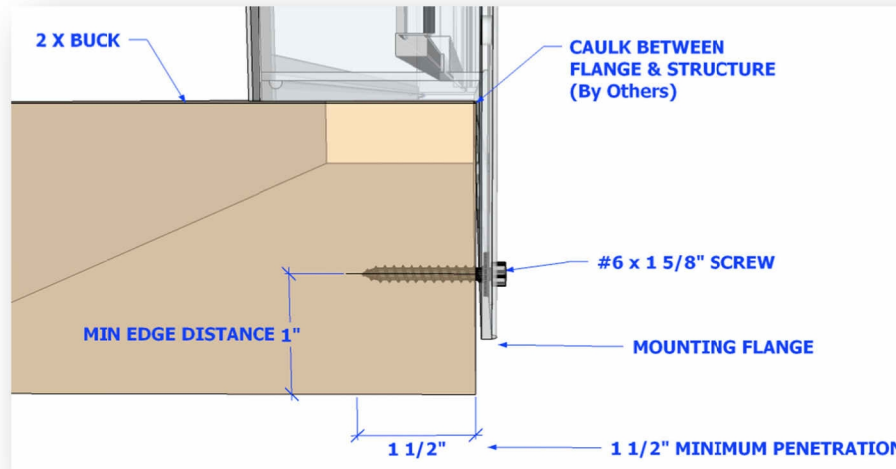
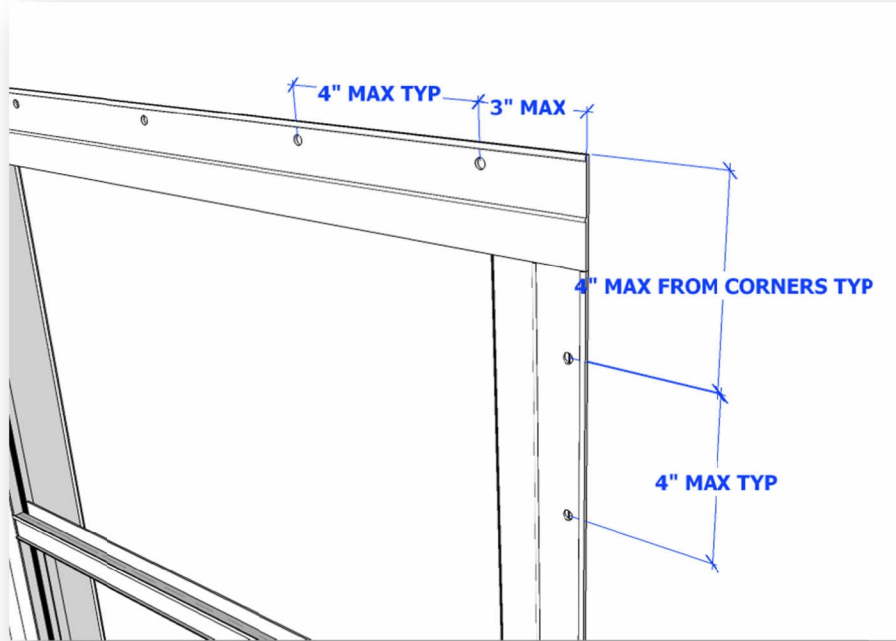
REVISIONS

NO.	DESCRIPTION	BY	DATE

COPYING OR
DUPLICATION IS
PROHIBITED WITHOUT
WRITTEN PERMISSION
FROM POCAHONTAS
ALUMINUM
COMPANY, INC.



INSTALLATION METHOD ALUMINUM NON-INSULATED ELEVATION & ANCHOR LAYOUT



SCALE: NTS
 DWN BY: AMM
 CHK BY: KEA
 DATE: 10/13/15

TITLE:
 INSTALLATION METHOD
 ALUMINUM NON-INSULATED
 ELEVATION & ANCHOR LAYOUT

PREPARED BY:
 POCAHONTAS ALUMINUM COMPANY, INC.
 2001 INDUSTRIAL DRIVE
 POCAHONTAS, AR 72455
 PH: 870-892-3689 FAX: 870-892-9858

REVISIONS			
NO.	DESCRIPTION	BY	DATE

COPYING OR
 DUPLICATION IS
 PROHIBITED WITHOUT
 WRITTEN PERMISSION
 FROM POCAHONTAS
 ALUMINUM
 COMPANY, INC.

